

user manual
instrukcja obsługi



eng

pl

NVC-Vxxx
Vandal dome
camera series

Seria wandaloodpornych
kamer kopułkowych

NOVUSTM

user manual



eng

NVC-Vxxx
Vandal dome
camera series

NOVUSTM

Table Of Contents:

1. IMPORTANT SAFEGUARDS AND WARNINGS.....	5
2. PREFACE	6
3. STANDARD ACCESSORIES.....	6
4. SPECIFICATION	7
5. FUNCTION DESCRIPTION.....	8
6. INSTALLATION	8

eng

Technical modification are subject to change without prior notice. Misprints reserved.

1. Important Safeguards and warnings:

1. Read, keep, and follow these instructions.
2. Heed all warnings.
3. There are no user-serviceable parts inside this unit. Only authorized service personnel may open the unit.
4. Installation and servicing should only be done by qualified service personnel and conform to all local codes.
5. Unplug the unit from the outlet and refer servicing to qualified service personnel under the following conditions:
 - a. When the power supply cord or plug is damaged.
 - b. If liquid has been spilled or objects have fallen into the unit.
 - c. If the unit has been submerged under water.
 - d. If the unit does not operate normally by following the operating instructions.
 - e. If the unit has been dropped or the cabinet has been damaged.
 - f. When the unit exhibits a distinct change in performance.
6. Unplug the unit from the power outlet before cleaning. Do not use liquid cleaners or aerosol cleaners. Use a damp cloth for cleaning purposes.
7. Do not block any ventilation openings. Install in accordance with the manufacturer's instructions.
8. Do not install near any heat source or near water (any wet area).
9. Only use attachments / accessories specified by the manufacturer.

eng

The product and / or manual may bear the following marks:



This symbol indicates that dangerous voltage constituting a risk of electric shock is present within this unit.



This symbol indicates that there are important operating and maintenance instructions in the literature accompanying this unit.

IMPORTANT



This product is manufactured to comply with requirements of following directives:
89/336/EEC, 93/68/EEC

2. Preface:

This product has been carefully inspected through rigid quality control before shipment. With reasonable installation and operation, it will provide year of reliable performance. Considering your investment, we understand you would like to know the full performance capability about the new product. Therefore, we need to recommend that you read the installation and operation manual thoroughly before attempting to install and operate the product.

Please read and observe all instructions and warnings contained in this manual. Retain the original manual for future reference. When unpacking your new product, first please compare the received items with your order list, second check for damaged items. If there is anything missing or damage in evidence, please do not install or operate the product, then contact the dealer for assistance immediately. Never try to service this product by yourself. Opening the covers may expose you to dangerous power voltage or other hazards.

NOVUS NVC-Vxxx series vandal dome cameras are highly resistant to mechanical strokes. The cameras feature a 1/3" CCD imager that provides high-resolution image quality. The level of minimum illumination of those cameras provides them with high performance even under low light conditions. The NVC-Vxxx/IR camera incorporates the latest in IR LED (Infra Red Light Emitting Diode) technology ensuring superior performance during the night. These compact cameras are easily installed in any location and their wide angle of viewing enables the user to monitor broad area.

3. Standard Accessories:

1. Main body * 1
2. Power-DC and Video-BNC cable * 1
3. Mounting screws kit *1
4. Y wrench * 1
5. Instruction manual * 1

4. Specifications:

COLOR CAMERAS TECHNICAL SPECIFICATIONS:

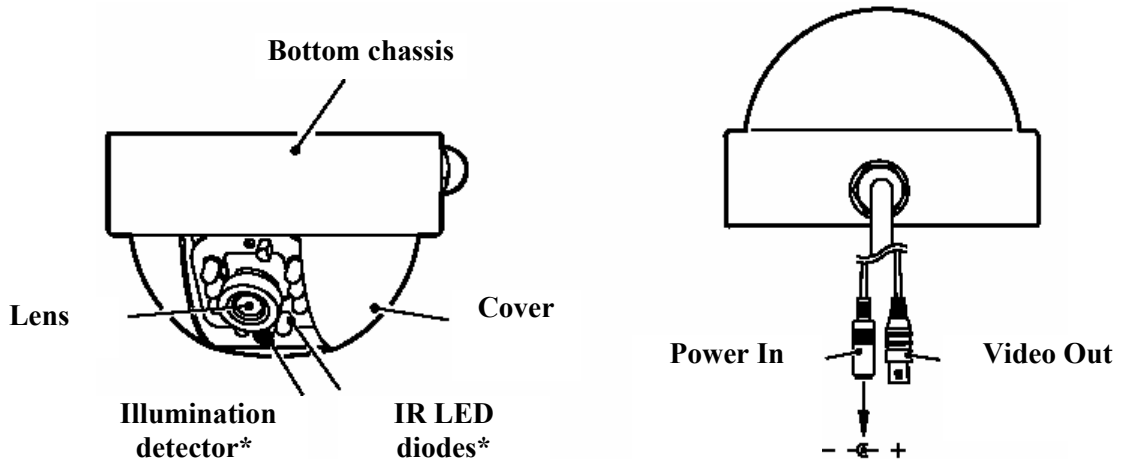
Model	NVC-VS45CD/IR	NVC-VS50CD	NVC-VS55CD	NVC-VH60CD
Imaging device	1/3" CCD			
Picture elements	537 (H) x 597 (V)			795 (H) x 596 (V)
Resolution	> 380 TVL			> 480 TVL
Synchronizing system	Internal			
Video output	1.0 V _{p-p} , 75 Ω, BNC			
IR illuminator	Yes	No		
Min illumination	1.0 lx/F=1.2	0.8 lx/F=1.2		
Electronic shutter	Automatic (1:50 ~ 1:100 000 s.)			
S/N ratio	48 dB (AGC off)			
Gamma	0.45			
White balance	Automatic / 2000°K ~ 8000°K			
Backlight compensation	Automatic			
Lens	Fixed focal 3.6 mm		Varifocal 4 ~ 9 mm	
Auto iris	No		Yes	
Operating temperature	-10°C ~ +50°C			
Water resistance	IP66			
Power supply	12 VDC / 250 mA max.			
Dimensions (mm)	108 (D) x 75 (H)			
Weight	640 g			

eng

B/W CAMERAS TECHNICAL SPECIFICATIONS:

Model	NVC-VS15BD/IR	NVC-VS10BD	NVC-VS25BD	NVC-VH35BD
Imaging device	1/3" CCD			
Picture elements	537(H) x 597(V)			795(H) x 596(V)
Resolution	> 420 TVL			> 580 TVL
Synchronizing system	Internal			
Video output	1.0 V _{p-p} , 75 Ω, BNC			
IR illuminator	Yes	No		
Min illumination	0.05 lx/F=1.2	0.05 lx/F=1.2	0.08 lx/F=1.2	
Electronic shutter	Automatic (1:50 ~ 1:100 000 s.)			
S/N ratio	48 dB (AGC off)			
Gamma	0.45			
Backlight compensation	Automatic			
Lens	Fixed focal 3.6 mm		Varifocal 4 ~ 9 mm	
Auto iris	No		Yes	
Operating temperature	-10°C ~ +50°C			
Water resistance	IP66			
Power supply	12 VDC / 250 mA max.			
Dimensions (mm)	108 (D) x 75 (H)			
Weight	640 g			

5. Function Description:



* Applies only to cameras type NVC-VS15BD/IR and NVC VS45CD/IR.

In low light conditions the low illumination detector will turn on the infrared diodes automatically. This will cause the camera to switch from color to the black and white mode automatically allowing camera to provide the user with better quality images and optimum sharpness. When environment changes to good illumination the diodes are turned off automatically and again the camera switch to the color mode.

6. Installation:

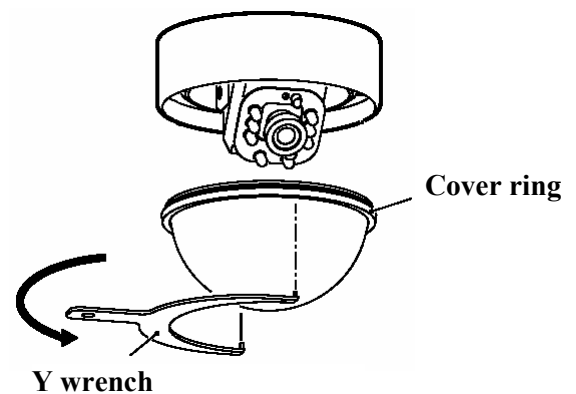
WARNING: Entire installation process of NVC-Vxxx series vandal dome cameras should be carried out by (or proceed under supervision of):

- qualified service personnel
- or authorized security systems installers.

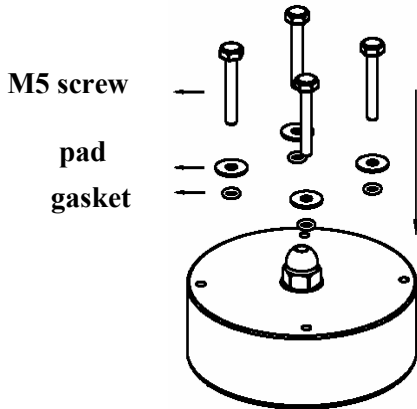
Installation process must comply with obliging norms/regulations.

WARNING: Before connecting camera to the power cable you must be absolutely certain that the power voltage is disconnected.

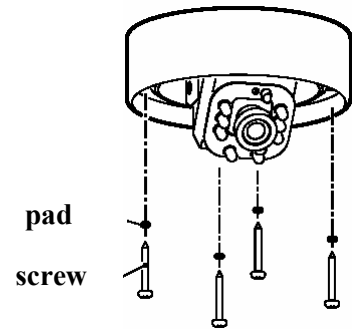
1. Take off the globe by twisting it counterclockwise using provided wrench.



2. Drill the appropriate holes in the surface to mount the camera.
There are free options in which this unit can be properly mount.
 - to the ceiling
 - on the wall
 - on the ground

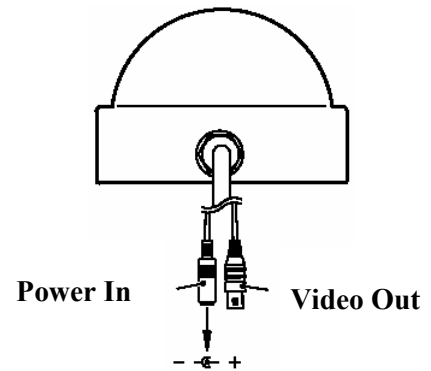


or

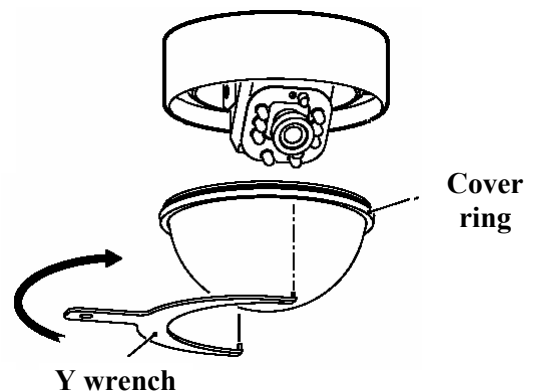


eng

3. Connect video output of the camera (VIDEO OUT) - ended with BNC interface - to a appropriate monitor video input (VIDEO IN) using standard 75 Ohm coaxial cable.
4. Connect the power source 12 VDC (regulated), to the cable ended with interface type jack (inner wire - plus, outer wire - minus).



5. Set the camera module to monitor desired area.
6. Using provided wrench, put back the globe by twisting clockwise the mounting ring.



NOVUSTM

NOVUS Security Sp. z o.o.

Pulawska Street 431, 02-801 Warsaw, Poland
phone.: (22) 546 0 700, fax: (22) 546 0 719

www.novuscctv.com